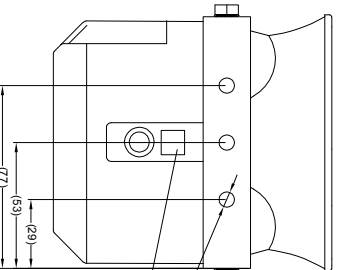
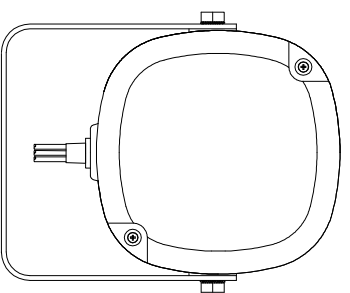
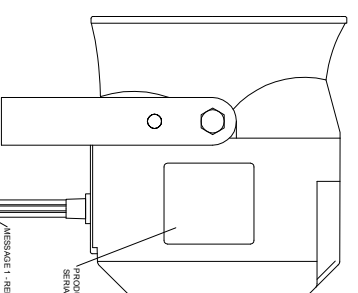
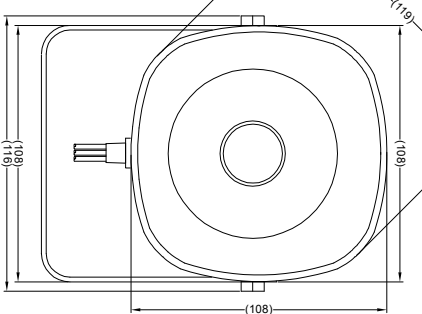
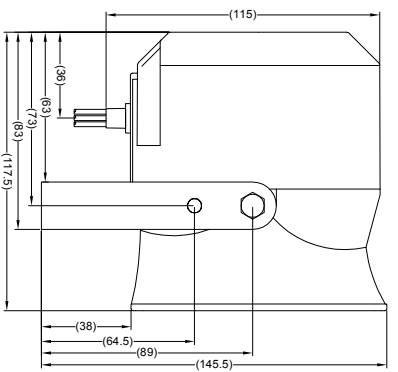
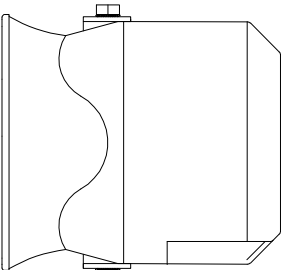


Revision Notes			
R1 - NOTES UPDATED TO INDICATE CORRECT LABEL DETAILS. STANDARDS UPDATED AS PER ECR CR-A253			
APAR-AHEADLE	Drawn/BATES	Checked/MIBUTLER	Approved/GPLITH
			Date: 06/02/14



- NOTES:
1. MATERIAL: ABS PLASTIC - ULTRA VIOLET STABILIZED
 2. FINISH: BLACK
 3. FOR PRODUCT LABEL REFER TO LATEST REVISION OF DRAWING BE-002749-XX-13
 4. FOR GIFTBOX LABEL REFER TO LATEST REVISION OF DRAWING BE-002325-XX-13
 5. FOR MANUFACTURE LABEL REFER TO LATEST REVISION OF DRAWING BE-001990-XX-12.

SPECIFICATION

RATED VOLTAGE: 12 AND 24 VOLTS DIRECT CURRENT (WORKING VOLTAGE RANGE: 10 THRU 30 VOLTS)
 RATED CURRENT: 1 AMPERES OR LESS
 SOUND PRESSURE: 110±4 DECIBELS AT TEST VOLTAGE OF 14 AND 28 VOLTS
 CABLE THICKNESS: ALL CABLES 24/0.2MM
 MESSAGE(S): 1. "WARNING REDUCE STEERING ANGLE/SAFE STEERING ENVELOPE EXCEEDED"
 MESSAGE(S): 2. "WARNING STEERING SYSTEM FAILURE"
 MESSAGE LIBRARY NUMBER(S): 1. M1283
 2. M1282
 VOICE/ACCENT: ALL MESSAGES ARE MALE
 LANGUAGE: ALL MESSAGES ARE ENGLISH

PROPRIETARY NOTICE
 THIS DESIGN AND TECHNICAL INFORMATION APPEARING ON THIS DRAWING IS THE PROPERTY OF BRIGADE ELECTRONICS, AND IS DISCLOSED IN CONFIDENCE. IT IS NOT TO BE COPIED, REPRODUCED, REVEALED TO OR EXPROPRIATED BY OTHERS, EITHER IN WHOLE OR IN PART WITHOUT THE EXPRESS WRITTEN CONSENT OF BRIGADE ELECTRONICS.

BRIGADE
 www.brigade-electronics.com

 Third Angle	Assembly Pt Approval AHEDDLE - 26/02/13	Approved by SMATTHEWS	Checked by GPLITH	Drawn by MIBUTLER
	Angle of Projection	Units mm	Scale N/A	Released 04/03/13
Status RELEASED	Part No 0921	BC-02HP STEER SYS	Assembly Ref A112B	